



INTERSPIRO TECHNICIAN

WITH THE LARIMER COUNTY DIVE RESCUE TEAM
FORT COLLINS, CO
NOVEMBER 19, 2021

WHAT YOU NEED TO KNOW

OBJECTIVE • Students certify as Interspiro Technicians capable of performing field maintenance, annual service, and testing on Divator full face masks with a thorough understanding of mask design, function, and safety.

JUSTIFICATION • With this training departments may not only save money on the cost of repairs and maintenance but also reduce downtime and required mask inventory to remain operational.

CERTIFICATION • 5 year Technician-level certification authorized by Interspiro.

RECOMMENDED FOR • Anyone involved in repair or maintenance of department dive gear and anyone interested in expanding their knowledge of how full face masks function.

DURATION • 1 Day / 8 training hours

TUITION • \$185.00 (US Funds) per student
Includes service mat with exploded view of Divator mask, tool kit, and Interspiro Technician training manual.

BE SURE TO BRING • Students: Divator Mask and Annual Service Kit
Teams: First Stage Regulator and Test Kit

RECOMMENDED SUPPLIES • Interspiro Mini Test Kit (1 per department)
Interspiro Annual Service Kit (1 per mask)
Ambient Air Aperture rebuild kit specific to your full face mask (1 per mask)

TOPICS

- Communication modules
- Parts inspection, repair, & replacement
- Troubleshooting
- Adjustment
- Safety pressure vs. Demand valve
- Mask conversions
- Mask testing
- Annual service

SCHEDULE

DAY 1 of 1

0800-0830 Registration

0830-1200 Classroom

1200-1300 Lunch

1300-1700 Classroom



INTERSPIRO

Keeps You Breathing

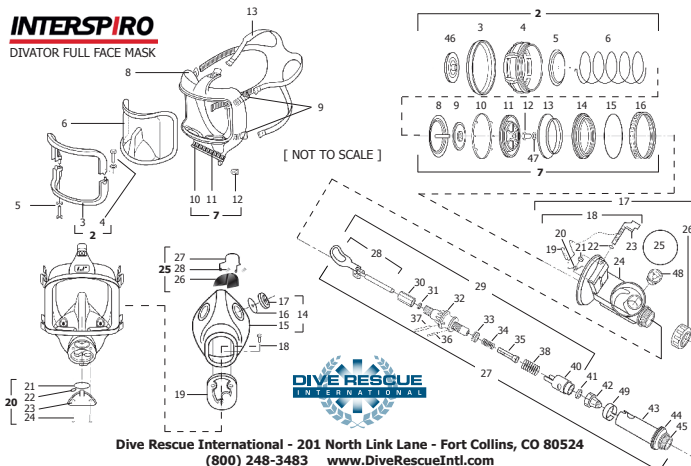
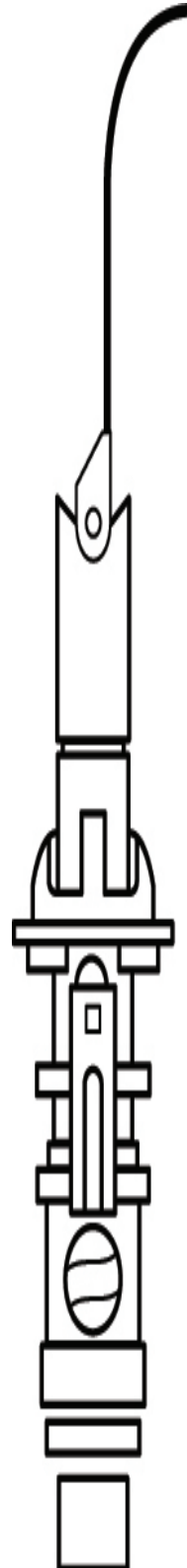
LOCATION OF CLASS

FIRE CACHE

1303 N Shields St

Fort Collins, CO 80524

Class begins at 8:00 AM



INTERSPIRO TECHNICIAN

F O R T C O L L I N S , C O L O R A D O
N O V E M B E R 1 9 , 2 0 2 1

MAKING IT HAPPEN

- PREREQUISITES** ● Students must be at least 18 years of age.
- TRAVEL** ● Check with DRI and confirm class before making airline reservations.
- CANCELLATION** ● PRIOR TO 3 WEEKS: FULL REFUND
8-21 DAYS PRIOR: 50% REFUND
0-7 DAYS PRIOR: NO REFUND



PLEASE INCLUDE

	Part Name and Part Number	QTY	Cost Each
<input type="checkbox"/>	Safety Pressure Annual Service Kit #300SP		\$145.00
<input type="checkbox"/>	Demand Valve Annual Service Kit #300NSP		\$144.10
<input type="checkbox"/>	Interspiro Ambient Air 'Hatch' Rebuild Kit #460-190-710		\$28.20
<input type="checkbox"/>	Mini Test Kit #336-190-128		\$267.00
<input type="checkbox"/>	Level Bar Tool #30004-51		\$24.60

SUGGESTED ACCOMMODATIONS

Best Western university Inn
914 S College Ave
Fort Collins, CO 80524
(970) 484-2984

AIRPORT

Denver international
1 hour 15 minutes

TO REGISTER

ONLINE
WWW.DIVERESCUEINTL.COM

IN PERSON OR BY POSTAL SERVICE
201 N LINK LN
FORT COLLINS, CO 80524

BY PHONE
(800) 248 - 3483 X. 18

FAX THIS FORM
(970) 482 - 0893

PLEASE REGISTER ME

First Name _____ Last Name _____

Address _____

Best Phone _____ E-mail _____

Department _____ Department Phone _____

Payment Information (Credit Cards will be charged or Invoices will be sent 2 weeks before class)

Personal Card Department Card Call me for CC info

Credit Card Number _____ Exp _____ CVC _____

Billing Address _____

Name on Card _____ Phone Number _____

Invoice my Department by Postal Service Invoice by E-mail

Purchase Order Number _____ **Please provide Dive Rescue International a copy of the PO**

Finance Department Phone Number _____

Finance Department Billing Address _____

Finance Department E-mail Address _____