



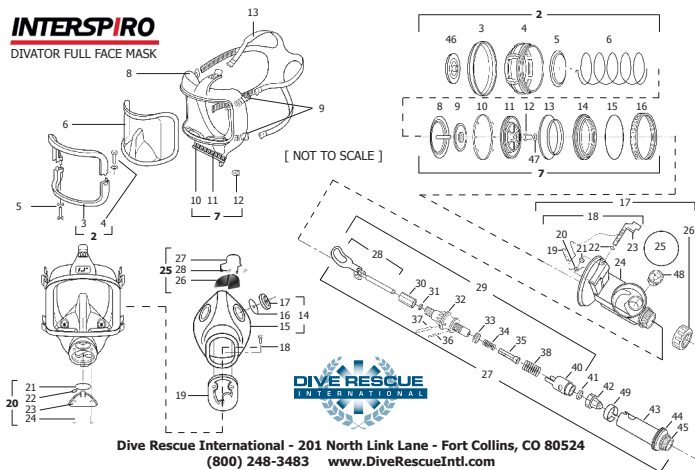
# INTERSPIRO TECHNICIAN

WITH BOYNTON BEACH FIRE RESCUE  
BOYNTON BEACH, FLORIDA  
FEBRUARY 15, 2022

## WHAT YOU NEED TO KNOW

- OBJECTIVE** • Students certify as Interspiro Technicians capable of performing field maintenance, annual service, and testing on Divator full face masks with a thorough understanding of mask design, function, and safety.
- JUSTIFICATION** • With this training departments may not only save money on the cost of repairs and maintenance but also reduce downtime and required mask inventory to remain operational.
- CERTIFICATION** • 5 year Technician-level certification authorized by Interspiro.
- RECOMMENDED FOR** • Anyone involved in repair or maintenance of department dive gear and anyone interested in expanding their knowledge of how full face masks function.
- DURATION** • 1 Day / 8 training hours
- TUITION** • \$185.00 (US Funds) per student  
Includes service mat with exploded view of Divator mask, tool kit, and Interspiro Technician training manual.
- BE SURE TO BRING** • Students: Divator Mask and Annual Service Kit  
Teams: First Stage Regulator and Test Kit
- REQUIRED SUPPLIES** • Interspiro Mini Test Kit (1 per department)  
Interspiro Annual Service Kit (1 per mask)  
SUGGESTED: Ambient Air Aperture rebuild kit specific to your full face mask (1 per mask)

**INTERSPIRO**  
DIVATOR FULL FACE MASK



Dive Rescue International - 201 North Link Lane - Fort Collins, CO 80524  
(800) 248-3483 www.DiveRescueIntl.com

## TOPICS

- Communication modules
- Parts inspection, repair, & replacement
- Troubleshooting
- Adjustment
- Safety pressure vs. Demand valve
- Mask conversions
- Mask testing
- Annual service

## SCHEDULE

### DAY 1 of 1

- 0800-0830 Registration
- 0830-1200 Classroom
- 1200-1300 Lunch
- 1300-1700 Classroom



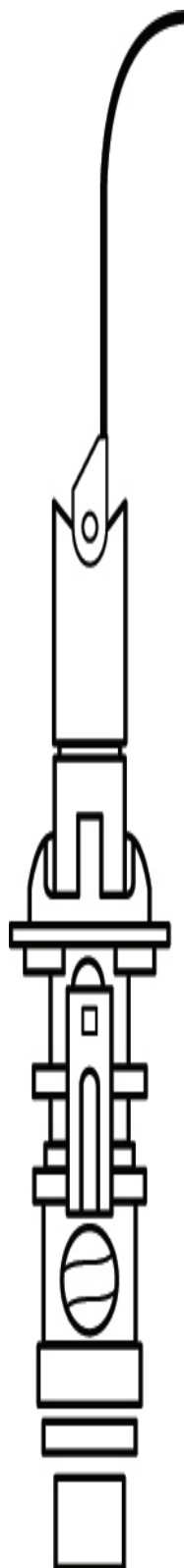
# INTERSPIRO

Keeps You Breathing

## LOCATION OF CLASS

Fire Station 5  
2080 High Ridge Road  
Boynton Beach, FL 33426

**Class begins at 8:00 AM**



# INTERSPIRO TECHNICIAN

BOYNTON BEACH, FLORIDA

FEBRUARY 15, 2022

## MAKING IT HAPPEN

- PREREQUISITES** • Students must be at least 18 years of age.
- TRAVEL** • Check with DRI and confirm class before making airline reservations.
- CANCELLATION** • PRIOR TO 3 WEEKS: FULL REFUND  
8-21 DAYS PRIOR: 50% REFUND  
0-7 DAYS PRIOR: NO REFUND



## PLEASE INCLUDE

	Part Name and Part Number	QTY	Cost Each
<input type="checkbox"/>	Safety Pressure Annual Service Kit #300SP		\$145.00
<input type="checkbox"/>	Demand Valve Annual Service Kit #300NSP		\$144.10
<input type="checkbox"/>	Interspiro Ambient Air 'Hatch' Rebuild Kit #460-190-710		\$28.20
<input type="checkbox"/>	Mini Test Kit #336-190-128		\$267.00
<input type="checkbox"/>	Level Bar Tool #30004-51		\$24.60

## SUGGESTED ACCOMMODATIONS

HOLIDAY INN EXPRESS  
2001 Ocean Drive  
Boynton Beach, FL 33426  
(561) 736 - 2634  
\$123

## AIRPORT

Palm Beach International  
15 minutes

## TO REGISTER

ONLINE  
[WWW.DIVERESCUEINTL.COM](http://WWW.DIVERESCUEINTL.COM)

IN PERSON OR BY POSTAL SERVICE  
201 N LINK LN  
FORT COLLINS, CO 80524

BY PHONE  
(800) 248 - 3483 X. 18

FAX THIS FORM  
(970) 482 - 0893

## PLEASE REGISTER ME

First Name \_\_\_\_\_ Last Name \_\_\_\_\_  
Address \_\_\_\_\_  
Best Phone \_\_\_\_\_ E-mail \_\_\_\_\_  
Department \_\_\_\_\_ Department Phone \_\_\_\_\_

Payment Information (Credit Cards will be charged or Invoices will be sent 2 weeks before class)

Personal Card  Department Card  Call me for CC info

Credit Card Number \_\_\_\_\_ Exp \_\_\_\_\_ CVC \_\_\_\_\_  
Billing Address \_\_\_\_\_  
Name on Card \_\_\_\_\_ Phone Number \_\_\_\_\_

Invoice my Department by Postal Service  Invoice by E-mail

Purchase Order Number \_\_\_\_\_ **Please provide Dive Rescue International a copy of the PO**

Finance Department Phone Number \_\_\_\_\_  
Finance Department Billing Address \_\_\_\_\_  
Finance Department E-mail Address \_\_\_\_\_