

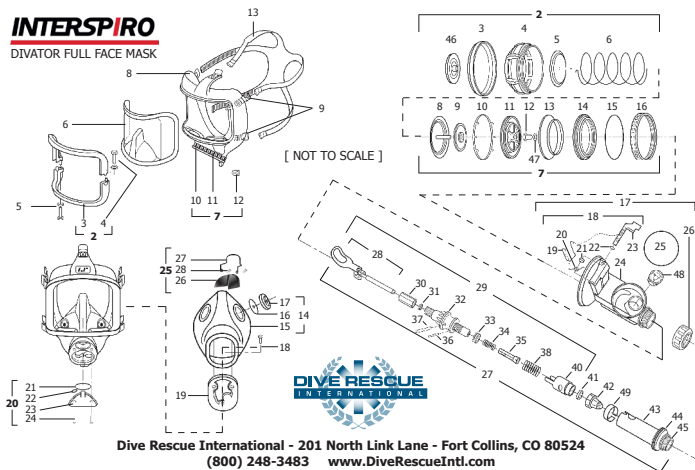


INTERSPIRO TECHNICIAN

WITH SOUTHERN MARIN FIRE DISTRICT
MILL VALLEY, CALIFORNIA
NOVEMBER 30, 2021

WHAT YOU NEED TO KNOW

- OBJECTIVE** • Students certify as Interspiro Technicians capable of performing field maintenance, annual service, and testing on Divator full face masks with a thorough understanding of mask design, function, and safety.
- JUSTIFICATION** • With this training departments may not only save money on the cost of repairs and maintenance but also reduce downtime and required mask inventory to remain operational.
- CERTIFICATION** • 5 year Technician-level certification authorized by Interspiro.
- RECOMMENDED FOR** • Anyone involved in repair or maintenance of department dive gear and anyone interested in expanding their knowledge of how full face masks function.
- DURATION** • 1 Day / 8 training hours
- TUITION** • \$185.00 (US Funds) per student
Includes service mat with exploded view of Divator mask, tool kit, and Interspiro Technician training manual.
- BE SURE TO BRING** • Students: Divator Mask and Annual Service Kit
Teams: First Stage Regulator and Test Kit
- REQUIRED SUPPLIES** • Interspiro Mini Test Kit (1 per department)
Interspiro Annual Service Kit (1 per mask)
SUGGESTED: Ambient Air Aperture rebuild kit specific to your full face mask (1 per mask)



Dive Rescue International - 201 North Link Lane - Fort Collins, CO 80524
(800) 248-3483 www.DiveRescueIntl.com

TOPICS

- Communication modules
- Parts inspection, repair, & replacement
- Troubleshooting
- Adjustment
- Safety pressure vs. Demand valve
- Mask conversions
- Mask testing
- Annual service

SCHEDULE

DAY 1 of 1

- 0800-0830 Registration
- 0830-1200 Classroom
- 1200-1300 Lunch
- 1300-1700 Classroom



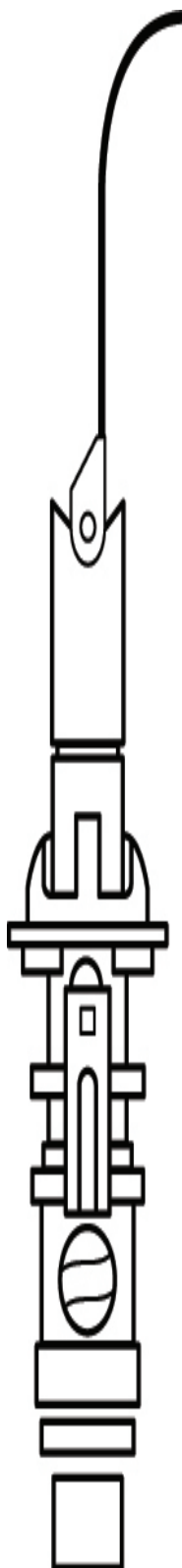
INTERSPIRO

Keeps You Breathing

LOCATION OF CLASS

Southern Marin Fire District
Station 1
333 Johnson Street
Sausalito, CA 94965

Class begins at 8:00 AM



INTERSPIRO TECHNICIAN

MILL VALLEY, CALIFORNIA
NOVEMBER 30, 2021

MAKING IT HAPPEN

- PREREQUISITES** • Students must be at least 18 years of age.
- TRAVEL** • Check with DRI and confirm class before making airline reservations.
- CANCELLATION** • PRIOR TO 3 WEEKS: FULL REFUND
8-21 DAYS PRIOR: 50% REFUND
0-7 DAYS PRIOR: NO REFUND



PLEASE INCLUDE

	Part Name and Part Number	QTY	Cost Each
<input type="checkbox"/>	Safety Pressure Annual Service Kit #300SP		\$145.00
<input type="checkbox"/>	Demand Valve Annual Service Kit #300NSP		\$144.10
<input type="checkbox"/>	Interspiro Ambient Air 'Hatch' Rebuild Kit #460-190-710		\$28.20
<input type="checkbox"/>	Mini Test Kit #336-190-128		\$267.00
<input type="checkbox"/>	Level Bar Tool #30004-51		\$24.60

SUGGESTED ACCOMMODATIONS

Acqua Hotel
555 Redwood Hwy
Mill Valley, CA 94941
(415) 380 - 0400
\$259 - \$279

AIRPORT

San Francisco International
45-90 minutes
depending on traffic

TO REGISTER

ONLINE
WWW.DIVERESCUEINTL.COM

IN PERSON OR BY POSTAL SERVICE
201 N LINK LN
FORT COLLINS, CO 80524

BY PHONE
(800) 248 - 3483 X. 18

FAX THIS FORM
(970) 482 - 0893

PLEASE REGISTER ME

First Name _____ Last Name _____
Address _____
Best Phone _____ E-mail _____
Department _____ Department Phone _____

Payment Information (Credit Cards will be charged or Invoices will be sent 2 weeks before class)

Personal Card Department Card Call me for CC info

Credit Card Number _____ Exp _____ CVC _____
Billing Address _____
Name on Card _____ Phone Number _____

Invoice my Department by Postal Service Invoice by E-mail

Purchase Order Number _____ **Please provide Dive Rescue International a copy of the PO**

Finance Department Phone Number _____
Finance Department Billing Address _____
Finance Department E-mail Address _____